

SW305K

PRODUCT SPECIFICATIONS

SANY



STANDARD FEATURES

- Engine: Deutz TCD 6.1 (EU Stage 5)
- Boom Suspension System
- Locking Differential Axle
- Automatic Transmission Kick Down
- Bucket Self-Leveling and Return to Dig
- SANYLive Telematics
- Single Joystick Control
- Third Function Hydraulics
- Reversible fan
- 360° View Camera

Gross Power
129 kW

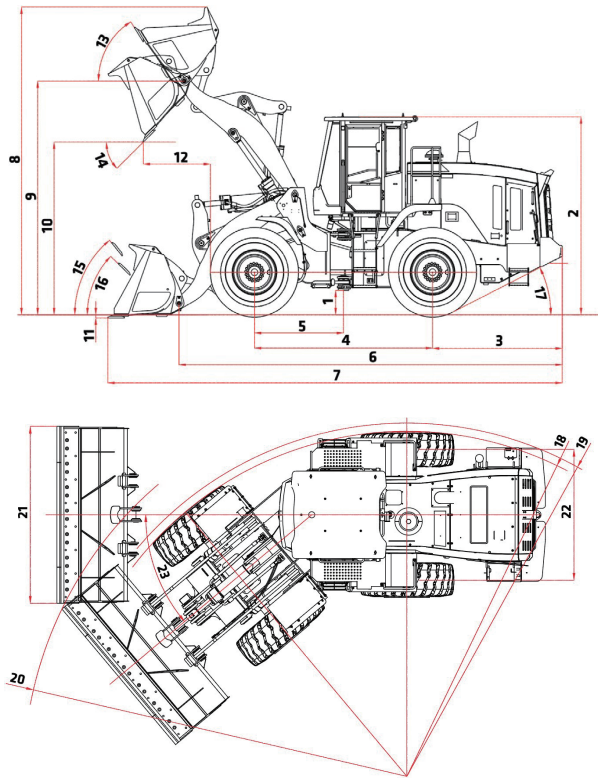
Bucket Capacity
2.3 m³

Operating Weight
14 500 kg

Full Turn Tipping Load
7 714 kg

PRODUCT SPECIFICATIONS

SANY SW305K



Machine Parameters

WEIGHT

Operating Weight	14 500 kg
------------------	-----------

ENGINE

Deutz TCD6.1

Max Gross Power	129 kW
Net Engine Power	116 kW
Max Gross Torque	750 Nm
Displacement	6.1 L

OPERATING

Bucket Capacity	2.3 m ³
Breakout Force	123 kN
Tipping Load Straight	8 899 kg
Tipping Load @ Full Turn	7 714 kg
Clearance (full lift 45° dump)	2 689 mm
Reach (full lift 45° dump)	1 038 mm

HYDRAULIC SYSTEM

Max Flow	220 LPM
Max Pressure	27 MPa

HYDRAULIC CYCLE TIMES

Raise	5.6 sec
Dump	1.6 sec
Float Down	3.2 sec
Total Cycle Time	10.4 sec

SERVICE CAPACITIES

Fuel Tank	227 L
Cooling System	33 L
Engine Crankcase	15.5 L
Transmission	55 L
Front Axle	34.8 L
Rear Axle	34.8 L
Hydraulic Tank	128.7 L
DEF Tank	10 L

TRANSMISSION

Shift Modes	Automatic, Manual, Kick Down
Forward Gear 1-4	7/14/27/41 km/h
Reverse Gear 1-3	7/14/27 km/h

POWER TRAIN

Front Axle	Fixed
Traction Aid	Manual Differential Lock
Rear Axle	Oscillating
Traction Aid	Open Differential
Service Brake	Wet Disk
Parking Brake	Disk Brake

OVERALL DIMENSIONS

STANDARD

1	Ground Clearance	407 mm
2	Height to Top of Cab	3 405 mm
3	Center Line of Rear Axle to Edge of Counterweight	1 911 mm
4	Wheelbase	3 000 mm
5	Center Line of Front Axle to Center Pivot	1 480 mm
6	Shipping Length without Attachment	6 226 mm
7	Shipping Length with Bucket	7 518 mm
8	Max. Dump Height	5 226 mm
9	Hinge Pin Height at Max. Lift	3 845 mm
10	Dump Clearance at Max. Lift	2 689 mm
11	Dig Depth, Level Bucket	122 mm
12	Reach at Max. Lift and 45° Discharge	1 038 mm
13	Roll Back at Max. Lift	61°
14	Dump Angle at Max. Lift and Dump	45°
15	Roll Back at Carry Height	49°
16	Roll Back at Ground	42°
17	Tail Angle to the Rear Wheel	28°
18	Clearance Circle to Outside of Tires	5 382 mm
19	Clearance Circle to Counterweight	5 365 mm
20	Max. Circle	5 969 mm
21	Width of the Bucket	2 545 mm
22	Width	2 045 mm
23	Articulation Angle	+/- 40°

In the interest of continual equipment development, SANY reserves the right to change these specifications at any time without prior notification.

SANY