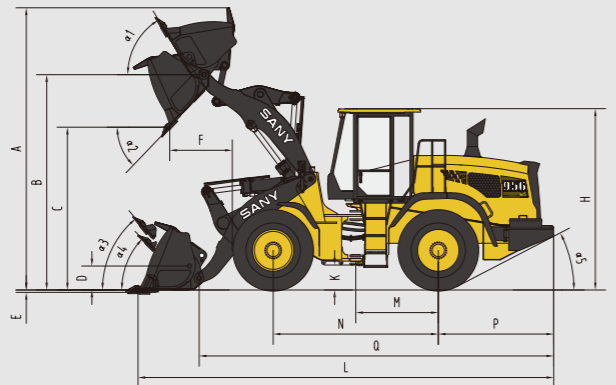


**Specifications SYL956H5**

Forward speed at gear I (Km/h)	7.1
Max. forward speed (Km/h)	40
Total cycling time (s)	10.5
Breakout Force (kN)	175
Max. traction force (kN)	167
Articulation angle (°)	40
Dump clearance (at 45°-fully raised) (mm)	3118
Dump reach (at 45°-fully raised) (mm)	1140
Min. turning radius (mm)	5850
Static tipping load (Full turn) (kg)	10700
Static tipping load (Straight) (kg)	12600

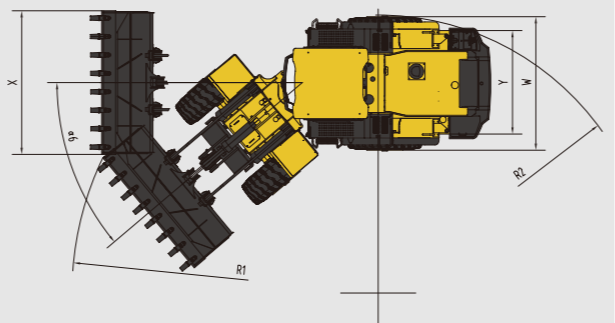
**Dimensions (mm) SYL956H5**

A. Overall height with bucket at Maximum lift	5410±50
B. Hinge pin height (fully raised)	4132±50
C. Dump clearance (at 45°-fully raised)	3118±50
D. Hinge pin height (at carry position)	460
E. Digging depth	30
F. Dump reach (at 45°-fully raised)	1140±50
H. Overall height (Rops cab)	3501±50
K. Ground clearance	432±10
L. Overall length, Bucket on Ground	8016±50
M. Length from Centerline to Rear Axle	1600
N. Wheel base	3200
P. Center Line Rear Axle to Edge of Counterweight	2229±50



**Dimensions (mm) SYL956H5**

Q Length from bucket hinge shaft to Edge of counter weight (mm)	6807±50
α1 Roll back angle, Boom fully raised	56°
α2 Max. dump angle, fully raised	45°
α3 Roll back angle at carry position	50°
α4 Roll back angle at ground level	45°
α5 Departure angle	28°
α6 Articulation angle	±40°
W Width over tires (mm)	2825±50
X Bucket width (mm)	3000
Y Tread (mm)	2200
R1 Turning radius to outside of bucket (mm)	6450±50
R2 Min. turning radius to outside of tires (mm)	5850±50



Please Subscribe  
The Official WeChat of SANY  
Heavy Machinery

**SANY Heavy Machinery Co., Ltd.**

Sany Industrial Park, Dongcheng Avenue, Kushan City, Jiangsu Province, China  
Hotline: +86 4008-28-2318 (Service) / 4008-87-9318 (Support)  
<https://www.sanygroup.com>

*Materials and specifications are subject to change without notice. See your local dealer for available options please*

**Reliable, Fuel-efficient & Comfortable**

Rated power: 164 kW @2200 rpm | Operating weight: 17,100 kg | Rated payload: 5,000 kg  
Bucket capacity: 2.7-4.0 m<sup>3</sup>

**SYL956H5**  
**Wheel Loader**