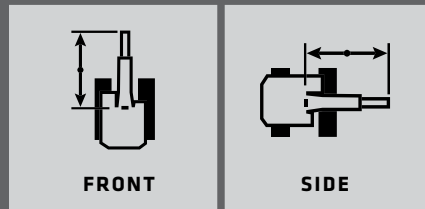
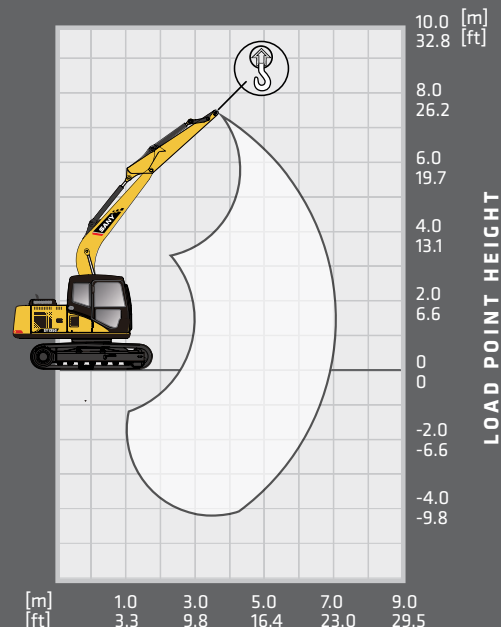


# SY155C || LIFTING PERFORMANCE

Standard 4600 mm (15' 1") Boom  
 Standard 2500 mm (8' 2") Arm  
 Standard 600 mm (24") Track Shoes  
 No Bucket



Ratings are based on ISO 10567:2007.  
 Lift capacity does not exceed 75% of tipping load with the machine on firm, level ground or 87% of hydraulic lifting capacity.



## BLADE DOWN

LOAD RADIUS	2.0 m 6.6 ft	3.0 m 9.8 ft	4.0 m 13.4 ft	5.0 m 16.4 ft	6.0 m 19.7 ft	7.0 m 23.0 ft	MAX REACH
7.0 m 23 ft			3353 kg* 7,392 lb*	3353 kg* 7,392 lb*			2536 kg* 5,591 lb*
6.0 m 19.7 ft			4053 kg* 8,935 lb*	3632 kg 8,007 lb	3310 kg* 7,297 lb*	2687 kg 5,924 lb	2216 kg* 4,885 lb*
5.0 m 16.4 ft			4203 kg* 9,266 lb*	3594 kg 7,923 lb	3944 kg* 8,695 lb*	2685 kg 5,919 lb	2590 kg* 5,710 lb*
4.0 m 13.1 ft		4736 kg* 10,441 lb*	4736 kg* 10,441 lb*	4643 kg* 10,236 lb*	3487 kg 7,688 lb	4146 kg* 9,140 lb*	2628 kg 5,794 lb
3.0 m 9.8 ft		6858 kg* 15,119 lb*	4607 kg 10,157 lb	5314 kg* 11,715 lb*	3325 kg 7,330 lb	4484 kg* 9,886 lb*	2537 kg 5,593 lb
2.0 m 6.6 ft		8370 kg* 18,453 lb*	4238 kg 9,343 lb	6031 kg* 13,296 lb*	3140 kg 6,923 lb	4855 kg* 10,703 lb*	2432 kg 5,362 lb
1.0 m 3.3 ft		6651 kg* 14,663 lb*	3979 kg 8,772 lb	6547 kg* 14,434 lb*	2980 kg 6,570 lb	5144 kg* 11,341 lb*	2334 kg 5,146 lb
0 m 0 ft		6813 kg* 15,020 lb*	3868 kg 8,527 lb	6703 kg* 14,778 lb*	2876 kg 6,340 lb	5253 kg 11,581 lb	2260 kg 4,982 lb
-1.0 m -3.3 ft	4686 kg* 10,331 lb*	4686 kg* 10,331 lb*	8485 kg* 18,706 lb*	3839 kg 8,464 lb	6484 kg* 14,295 lb*	2826 kg 6,230 lb	5115 kg* 11,277 lb*
-2.0 m -6.6 ft	7212 kg* 15,900 lb*	5997 kg 13,221 lb	7511 kg* 16,559 lb*	3854 kg 8,497 lb	5892 kg* 12,990 lb*	2819 kg 6,215 lb	4659 kg* 10,271 lb*
-3.0 m -9.8 ft	7480 kg* 16,491 lb*	6088 kg 13,422 lb	6070 kg* 13,382 lb*	3909 kg 8,618 lb	4842 kg* 10,675 lb*	2853 kg 6,290 lb	3697 kg* 8,150 lb*
-4.0 m -13.1 ft			3876 kg* 8,545 lb*	3876 kg* 8,545 lb*	2956 kg* 6,517 lb*	2948 kg 6,499 lb	2242 kg 4,943 lb

## BLADE UP

7.0 m 23 ft			3353 kg* 7,392 lb*	3353 kg* 7,392 lb*			2536 kg* 5,591 lb*
6.0 m 19.7 ft			4053 kg* 8,935 lb*	3632 kg 8,007 lb	3310 kg* 7,297 lb*	2687 kg 5,924 lb	2216 kg* 4,885 lb*
5.0 m 16.4 ft			4203 kg* 9,266 lb*	3594 kg 7,923 lb	3592 kg 7,919 lb	2685 kg 5,919 lb	2590 kg* 5,710 lb*
4.0 m 13.1 ft		4736 kg* 10,441 lb*	4736 kg* 10,441 lb*	4621 kg 10,188 lb	3487 kg 7,688 lb	4146 kg* 9,140 lb*	2628 kg 5,794 lb
3.0 m 9.8 ft		6118 kg 13,488 lb	4607 kg 10,157 lb	4459 kg 9,830 lb	3325 kg 7,330 lb	3444 kg 7,593 lb	2537 kg 5,593 lb
2.0 m 6.6 ft		5749 kg 12,674 lb	4238 kg 9,343 lb	4273 kg 9,420 lb	3140 kg 6,923 lb	3339 kg 7,361 lb	2432 kg 5,362 lb
1.0 m 3.3 ft		5490 kg 12,103 lb	3979 kg 8,772 lb	4114 kg 9,070 lb	2980 kg 6,570 lb	3241 kg 7,145 lb	2334 kg 5,146 lb
0 m 0 ft		5379 kg 11,859 lb	3868 kg 8,527 lb	4009 kg 8,838 lb	2876 kg 6,340 lb	3167 kg 6,982 lb	2260 kg 4,982 lb
-1.0 m -3.3 ft	4686 kg* 10,331 lb*	4686 kg* 10,331 lb*	5350 kg 11,795 lb	3839 kg 8,464 lb	3959 kg 8,728 lb	3125 kg 6,889 lb	2218 kg 4,890 lb
-2.0 m -6.6 ft	7212 kg* 15,900 lb*	5997 kg 13,221 lb	5366 kg 11,830 lb	3853 kg 8,497 lb	3953 kg 8,715 lb	2819 kg 6,215 lb	3116 kg 6,870 lb
-3.0 m -9.8 ft	7480 kg* 16,491 lb*	6088 kg 13,422 lb	5421 kg 11,951 lb	3909 kg 8,618 lb	3987 kg 8,790 lb	2853 kg 6,290 lb	3149 kg 6,942 lb
-4.0 m -13.1 ft			3876 kg* 8,545 lb*	3876 kg* 8,545 lb*	2956 kg* 6,517 lb*	2948 kg 6,499 lb	2242 kg 4,943 lb

\* Indicates load limited by hydraulic lifting capacity

In the interest of continual equipment development, SANY America, Inc. reserves the right to change these specifications at any time without prior notification.

# SY155U

## PRODUCT SPECIFICATIONS



## STANDARD FEATURES

- Powerful, robust and reliable powertrain & hydraulic components for long life in the most demanding applications
- Optimized positive flow control hydraulics improve operating efficiency by up to 5% and fuel efficiency by up to 10%

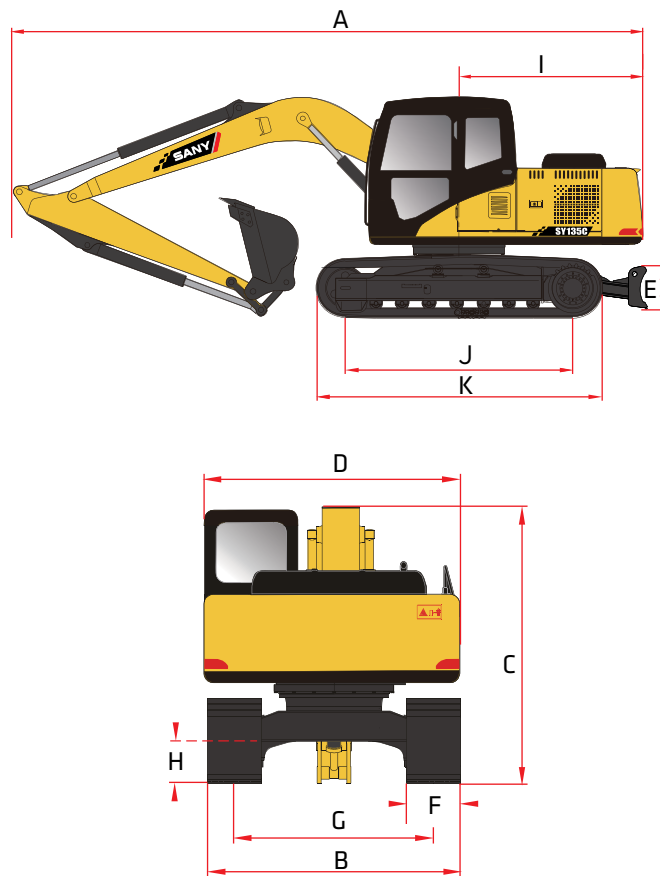
➔ **Gross Power**  
78kW / 104 hp

➔ **Dig Depth**  
5468 mm / 17' 11"

➔ **Operating Weight**  
16000 kg / 35,274 lb

➔ **Bucket Breakout**  
103.0 kN / 23,155 lbf

**DIMENSIONS**



DIMENSIONS		
Boom Length	4600 mm	15' 1"
Stick (Arm) Length	2500 mm	8' 2"
A Transport Length	7300 mm	23' 11"
B Transport Width	2590 mm	8' 6"
C Transport Height	3022 mm	9' 11"
D Upper Structure Width	2490 mm	8' 2"
E Blade Height	480 mm	19"
F Track Width (standard shoe)	600 mm	24"
G Track Gauge	1990 mm	6' 6"
H Ground Clearance (minimum)	425 mm	17"
I Tail Swing Radius	1500 mm	4' 11"
J Track Length on Ground	2930 mm	9' 7"
K Track Length	3665 mm	12' 0"

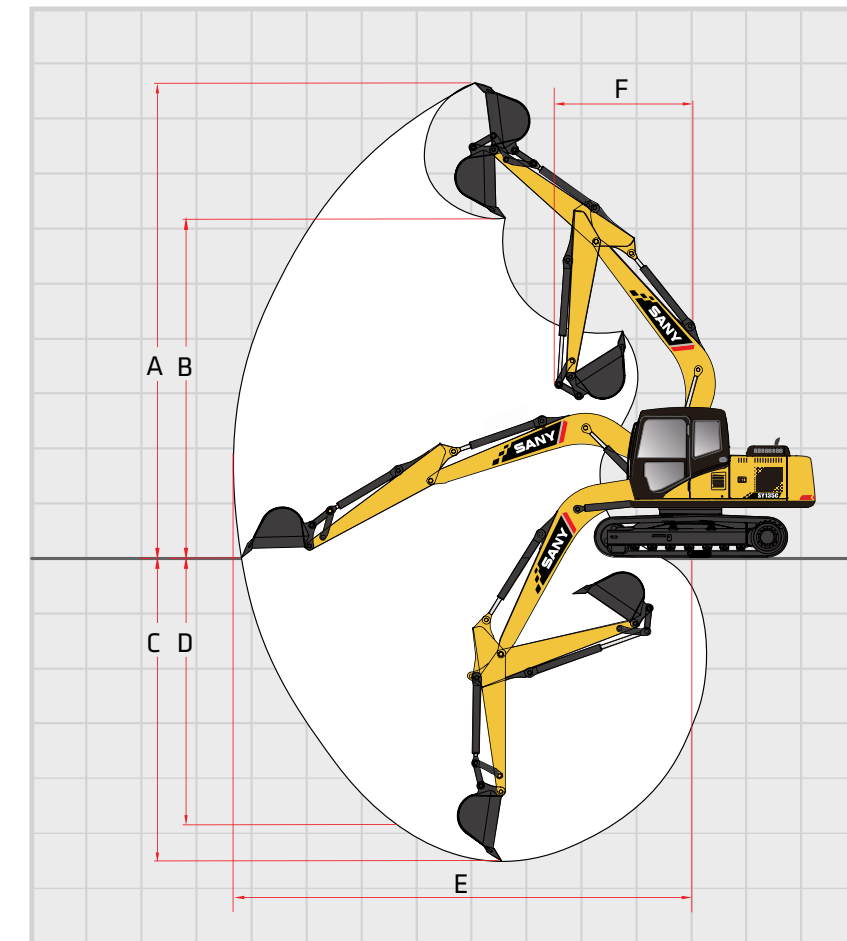
**Powerful, robust and reliable powertrain and hydraulic components**

TECHNICAL SPECIFICATIONS		
Operating Weight	16,000 kg	35,274 lb
Ground Pressure	41.0 kPa	5.9 psi
<b>Engine</b>	ISUZU AR-4JJ1XASC	
Displacement	3.0 L	183.0 in <sup>3</sup>
Gross Power	78 kW	104.0 HP
<b>Hydraulics</b>	Positive Flow Control with Pilot Control	
Main Hydraulic Pump	Axial Piston - Variable Displacement	
Operating Flow (maximum)	252.0 L/min	66.6 gal/min
Operating Pressure (maximum)	34.3 MPa	4975 psi
Auxiliary Flow (maximum)	110 L/min	29.1 gal/min
Auxiliary Pressure (maximum)	34.3 MPa	4974.8034 psi
<b>Travel Motor</b>	Axial Piston with Park Brake	
Travel Pressure (maximum)	34.3 MPa	4975 psi
Travel Speeds (maximum)	3.1 / 5.3 km/hr	1.9 / 3.3 mph
Travel Effort (maximum)	114.0 kN	25,628 lbf
Grade Capability (maximum)	35°	
<b>Swing Motor</b>	Axial Piston with Swing Brake	
Swing Pressure (maximum)	25.0 MPa	3626 psi
Swing Speed (maximum)	12.5 RPM	
<b>Undercarriage (standard)</b>	Steel Track	
Track Shoe width (standard)	600 mm	24"
Track Rollers (per side)	7	
Carrier Rollers (per side)	1	

SERVICE REFILL CAPACITIES		
Fuel Tank Capacity	220.0 L	58.1 gal
DEF Tank Capacity	20.0 L	5.3 gal
Hydraulic Tank Capacity	110.0 L	29.1 gal
Engine Oil Capacity	15.0 L	4.0 gal
Cooling System Capacity	16.0 L	4.2 gal

In the interest of continual equipment development, SANY America, Inc. reserves the right to change these specifications at any time without prior notification.

**WORKING RANGE**



WORKING RANGE		
Boom Length	4600 mm	15' 1"
Stick (Arm) Length	2500 mm	8' 2"
A Maximum Digging Height	9218 mm	30' 3"
B Maximum Dumping Height	6756 mm	22' 2"
C Maximum Digging Depth	5468 mm	17' 11"
D Maximum Vertical Wall Digging Depth	3796 mm	12' 5"
E Maximum Reach at Ground Level	8338 mm	27' 4"
F Minimum Swing Radius	2086 mm	6' 10"

DIGGING PERFORMANCE		
Boom Length	4600 mm	15' 1"
Stick (Arm) Length	2500 mm	8' 2"
Bucket Breakout Force (ISO)	103.0 kN	23,155 lbf
Stick (Arm) Digging Force (ISO)	67.0 kN	15,062 lbf

In the interest of continual equipment development, SANY America, Inc. reserves the right to change these specifications at any time without prior notification.