

# TRUCK-MOUNTED CONCRETE PUMP SYG5260THB 370C-10(SZ-LA)



## Energy-saving

- Pump efficiency is increased up to 25% while fuel consumption is decreased by up to 10%.



## Safety

- Our truck mounted concrete pump exemplifies Sany's precise, rigorous manufacturing philosophy and uncompromising focus on safety.



## Highly Wear Resistant Parts

- The highly wear resistant parts improve efficiency and reduce down time.



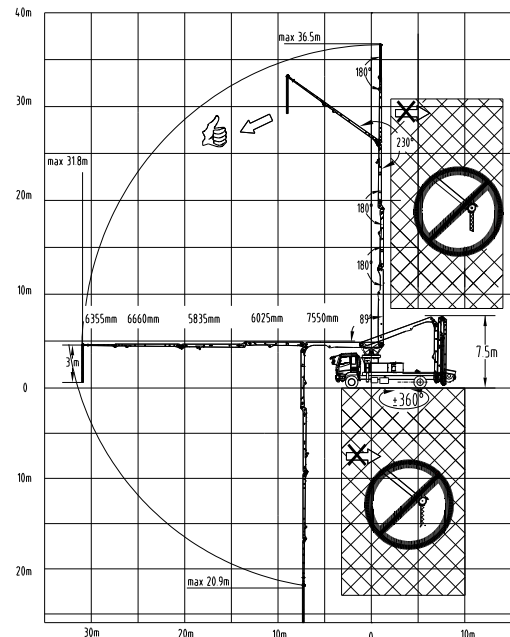
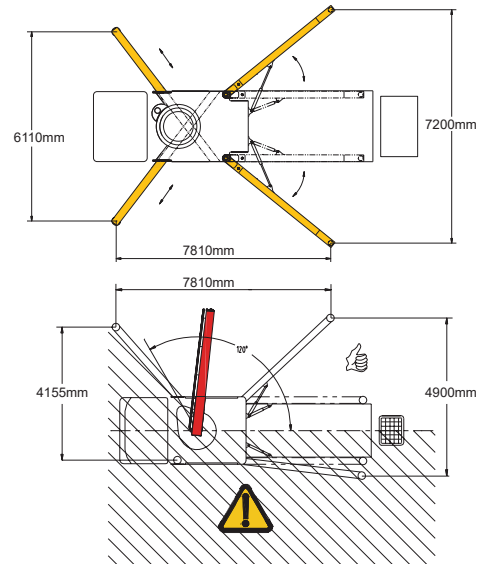
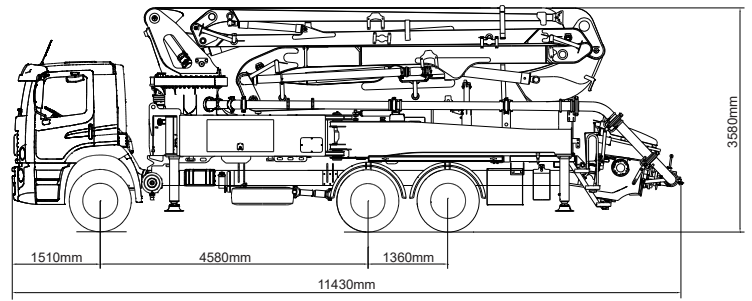
## Self-diagnosis Technology

- Continually monitors more than 200 aspects of the system during operation. Faults are displayed on the monitor. Review of the detected faults can reduce troubleshooting time by 70%.



# TECHNICAL SPECIFICATION

Model		Unit	SYG5260THB 370C-10(SZ-LA)	
X-unit Spe.	Length	mm	9200	
	Width	mm	2550	
	Height	mm	3500	
	Dead weight	kg	17500	
Boom & Outrigger Specification	Vertical reach	m	36.5	
	Horizontal reach	m	31.8	
	Reach depth	m	20.9	
	Unfolded reach	m	7.5	
	1st Section	Length	mm	7550
		Articulation		89°
	2nd Section	Length	mm	6025
		Articulation		180°
	3rd Section	Length	mm	5835
		Articulation		180°
	4th Section	Length	mm	6660
		Articulation		230°
	5th Section	Length	mm	6355
		Articulation		180°
Rotation			± 360°	
Front outrigger spread L-R	mm		6110	
Rear outrigger spread L-R	mm		7200	
Pumping System Specification	Output	Low-pressure	m³/h	160
		High-pressure	m³/h	96
	Pressure	Low-pressure	MPa	7
		High-pressure	MPa	12
	Delivery cylinder diameter	mm		230
	Stroke length	mm		1900
	Hydraulic system			Open
	Hydraulic system oil pressure	MPa		32
	Oil tank capacity	L		320
	Water tank capacity	L		350
Pipeline size	mm		125	
End hose length	m		3	
End hose diameter	mm		125	
Chassis Specification	Chassis brand		/	
	Chassis model		/	
	Engine type		/	
	Engine maximum net power	kW/rpm		/
	Emission standard			/
	Capacity of fuel tank	L		/
Displacement	L		/	
Max. speed	km/h		/	



www.sanyglobal.com

SANY Industrial Park, Economic and Technological Development Zone,  
Changsha, Hunan, China, 410100  
Sales Hotline  
Tel: 0086-731-85835199  
Mail: sales@sanyglobal.com

Service Hotline  
Tel: 0086-4006098318  
Mail: CRD@sany.com.cn

The product configuration (including technical parameters) is subject to change and the delivered actual machine without notice.