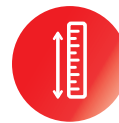


TRUCK-MOUNTED CONCRETE PUMP SYG5261THBES 370C-10



Highly Reliable

- SANY has World-class lighthouse factories with top-level manufacturing capability, assuring reliable quality.
- Careful matching of components ensures stable performance of the whole machine.



Strong Pumping

- Single-button high/low pressure switch
- Multiple upgrades assure high suction rate
- Significant advantage in pumping efficiency



Extremely Economical

- The industry-leading longest service life of wear parts
- Advanced fuel combustion technology
- Targeted upgrades for different working conditions

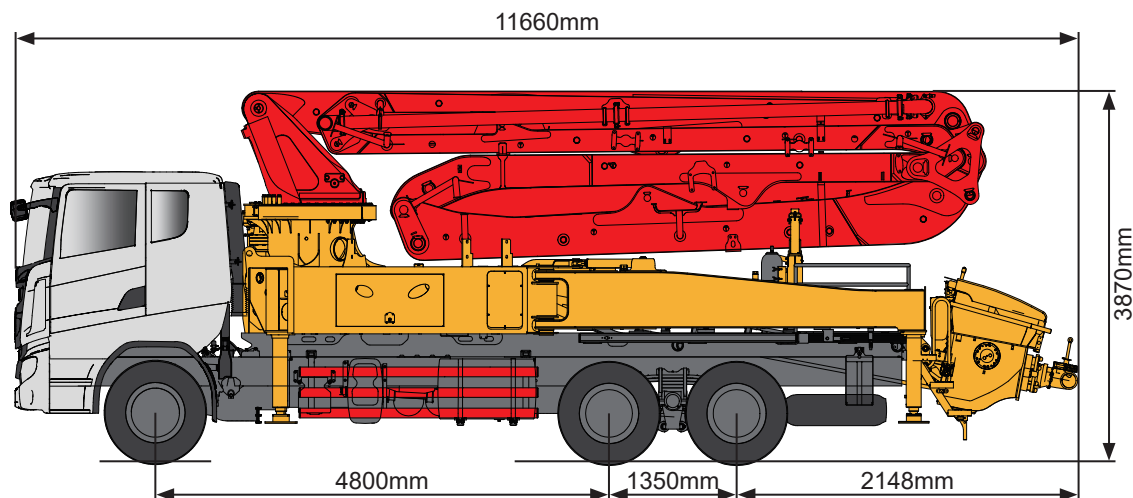


Ultimate User Experience

- Comfortable cab comparable to passenger car experience
- Multi-language human-machine interface
- Easy-maintenance



TECHNICAL SPECIFICATION



Note: standard dimensions version for SYG5261THBES 370C-10

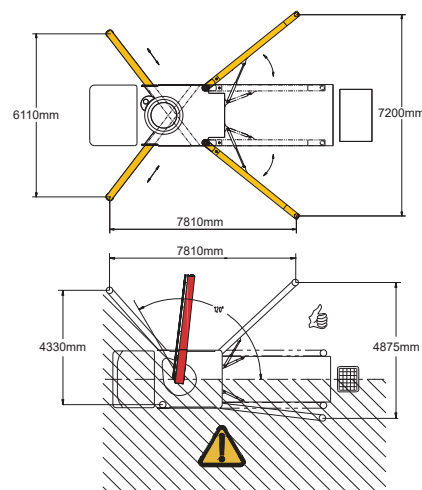
TECHNICAL DATA

Boom

Vertical reach	36.5 m
Horizontal reach	31.8 m
Depth reach	20.9 m
Unfolded reach	7.5 m
Rotation	± 360 °
Front outrigger spread L-R	6110 mm
Rear outrigger spread L-R	7200 mm
End hose length	3 m
End hose diameter	125 mm
Pipeline size	125 mm

Pumping system

Output	160 m ³ /h (96 m ³ /h)
Pressure	7 MPa (12 MPa)
Delivery cylinder diameter	230 mm
Stroke length	1900 mm
Hydraulic system	Open
Hydraulic system oil pressure	32 MPa
Oil tank capacity	320 L
Water tank capacity	350 L
Drive pump	Rexroth
Volume of hopper	700 L



DELIVERY & CONFIGURATIONS

Chassis

Brand: SANY
Model: SYM5350THB1E-3SS1M6
Engine type: D12C5-490E0
Engine max net power: 348/1900 kW/rpm
Emission standard: Euro V
Capacity of fuel tank: 600 L
Displacement: 12 L
Max.speed: 90 km/h

Functions

Agitator rotation, 2 direction
Single-button double piston return
Single-button high/low pressure switch
Auto-lubrication for core pump

Safety

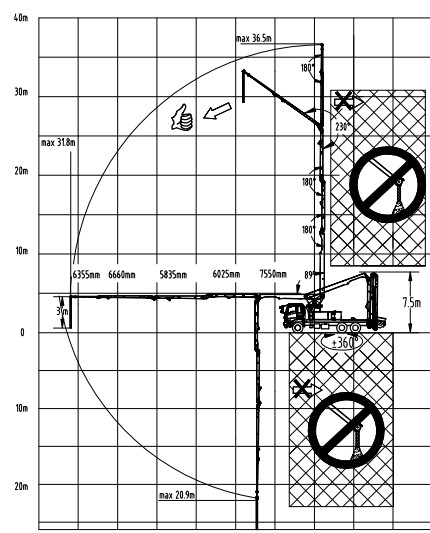
Mushroom button for horn, yellow
Emergency stop
Hopper plate

Cleaning

Sponge balls
High pressure water pump

Others

Remote control System, wired (optional)
Industrial display control screen 7" (optional)
Operating manual
MachineLink+ APP/web connected
7 × 24 service with no worry



www.sanyglobal.com

SANY Industrial Park, Economic and Technological Development Zone,
Changsha, Hunan, China, 410100
Sales Hotline
Tel: 0086-731-85835199
Mail: sales@sanyglobal.com

Service Hotline
Tel: 0086-4006098318
Mail: CRD@sany.com.cn

The product configuration (including technical parameters) is subject to change and the delivered actual machine without notice.