



# Scissors lift TD-16HD

## Specification

- \*Lift Capacity : 200KG
- \*Width-stowed : 1.25m
- \*Working Height : 16m

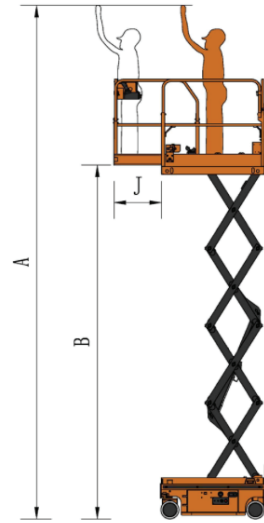
## Features

- \*Be used by battery, front wheel driving and rear wheel braking, the front wheel can be steering
- \*Low noise ,standards environmental requirements
- \*Applicable for the flat condition, the whole machine is light and compact

Model TD-16HD

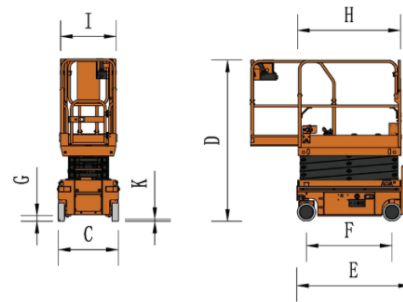
**Performance**

Working height maximum[A]	15.8m
Platform height maximum[B]	13.8m
Length-stowed[E]	2.83m
Width-stowed[C]	1.42m
Height-stowed-folding rails	2.62m
Height-rails down (Fold)	2.23m
Platform size(L×W)[H*I]	2.66m*1.12m
Slide- out platform extension deck[J]	0.9m
Wheel base[F]	2.22m
Ground clearance[G]	0.08m
with pothole guards deployed[K]	0.02m



**Dimension**

Lift capacity	260kg
Max platform occupancy (indoor/outdoor)	室内2人/室外1人
Drive speed-stowed	3.5km/h
Drive speed-raised	0.8km/h
Gradeability-stowed	25%
Turning radius-inside	0
Turning radius-outside	2.59m
Working slope maximum	1.5/3°
Tyre	Ø 381×127mm



**Power**

Power source	Batteries 4*12V/300Ah
Integrated charger	24V/25A

**Weight**

Standard	3350kg
----------	--------

**Feature**

**1. Self-propelled**

Without legs, the equipment can be traveled as stowed and raised, also it can turn operation during moving, then it greatly enhance the efficiency of AWP operations

**2. Quiet Power source**

Imported battery as power source, low noise, no emissions, no pollution indoor.

**3. Compact structure**

The structure is very compact, and the width of the machine is 815mm, it can enter through the narrow openings then work in a small space

**4. Swing-out Tray**

Both sides of the chassis with a swing-out tray, in order to keep convenient maintenance inspection and replacement

**5. Flexibility**

Steering wheel can be turned 90 degrees, you can choose high and low speed traveling, also be used in small place, which is convenient and flexible

**6. Pothole protection**

It is equipped with a hole protection device, so it can be in a safe condition if the wheel fell into the pit, to avoid the risk of tipping equipment

**7. Sleeve maintenance**

The free fiberglass sleeve in use of maintenance can save customer equipment maintenance time and energy

**8. Large working platform**

The platform can be extended with 0.9 meters, which increases the working area

**9. Folded guardrails**

The guardrail can be folded or disassembled to reduce the height of the whole machine, which is easy to transport and can pass through the lower door.

