



Scissors lift TD-14HD

Specification

- *Lift Capacity : 320KG
- *Width-stowed : 1.15m
- *Working Height : 14m

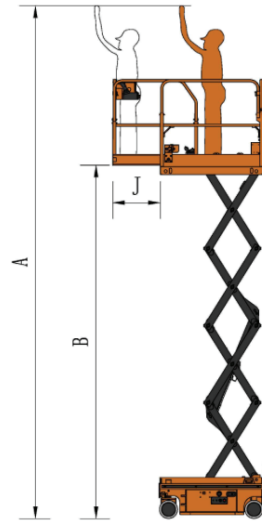
Features

- *Be used by battery, front wheel driving and rear wheel braking, the front wheel can be steering
- *Low noise ,standards environmental requirements
- *Applicable for the flat condition, the whole machine is light and compact

Model TD-14HD

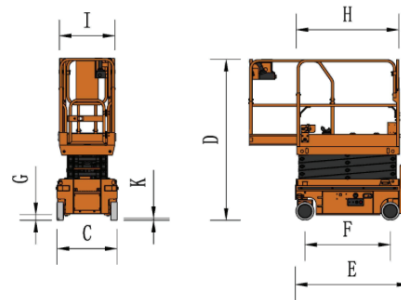
Performance

Working height maximum[A]	14m
Platform height maximum[B]	12m
Length-stowed[E]	2.45m
Width-stowed[C]	1.17m
Height-stowed-folding rails	2.61m
Height-rails down (Fold)	2.05m
Platform size(L×W)[H*I]	2.27m*1.12m
Slide- out platform extension deck[J]	0.9m
Wheel base[F]	1.87m
Ground clearance[G]	0.08m
with pothole guards deployed[K]	0.02m



Dimension

Lift capacity	360kg
Max platform occupancy (indoor/outdoor)	室内2人/室外1人
Drive speed-stowed	3.5km/h
Drive speed-raised	0.8km/h
Gradeability-stowed	25%
Turning radius-inside	0
Turning radius-outside	2.2m
Working slope maximum	1.5/3°
Tyre	Ø 381×127mm



Power

Power source	Batteries 4*12V/300Ah
Integrated charger	24V/25A

Weight

Standard	2960kg
----------	--------

Feature

1. Self-propelled

Without legs, the equipment can be traveled as stowed and raised, also it can turn operation during moving, then it greatly enhance the efficiency of AWP operations

2. Quiet Power source

Imported battery as power source, low noise, no emissions, no pollution indoor.

3. Compact structure

The structure is very compact, and the width of the machine is 815mm, it can enter through the narrow openings then work in a small space

4. Swing-out Tray

Both sides of the chassis with a swing-out tray, in order to keep convenient maintenance inspection and replacement

5. Flexibility

Steering wheel can be turned 90 degrees, you can choose high and low speed traveling, also be used in small place, which is convenient and flexible

6. Pothole protection

It is equipped with a hole protection device, so it can be in a safe condition if the wheel fell into the pit, to avoid the risk of tipping equipment

7. Sleeve maintenance

The free fiberglass sleeve in use of maintenance can save customer equipment maintenance time and energy

8. Large working platform

The platform can be extended with 0.9 meters, which increases the working area

9. Folded guardrails

The guardrail can be folded or disassembled to reduce the height of the whole machine, which is easy to transport and can pass through the lower door.

